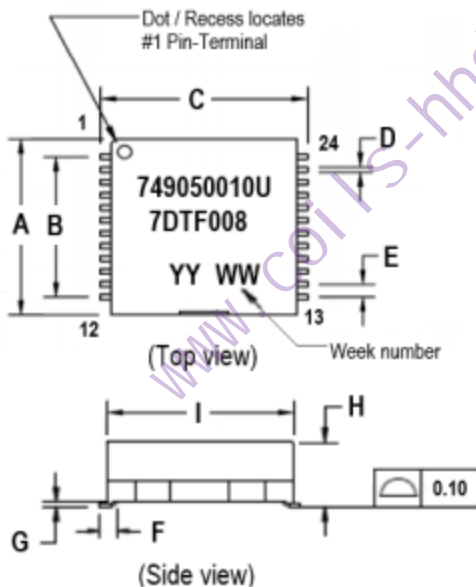
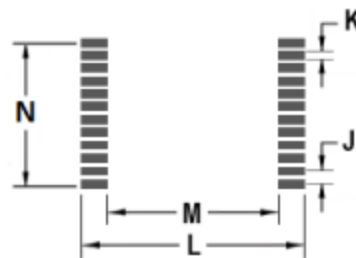


**Features:**

- Compliant with IEEE 802.3ab standard for 10G BaseT.
- Operating temperature range: -40°C to +85°C.
- Storage temperature range: -25°C to +105°C.
- RoHS compliant.

**Mechanical** (Unit: mm. Unless otherwise specified, all tolerances are  $\pm 0.02$ ):

**Recommended land pattern**

A	13.97 Max.
B	10.89
C	15.11 Max.
D	0.41
E	0.99
F	1.50 $\pm$ 0.10
G	0.40 $\pm$ 0.10
H	6.6 Max.
I	13.6 Max.
J	0.99
K	0.43
L	16.5
M	11.2
N	10.89

**Electrical Characteristics**

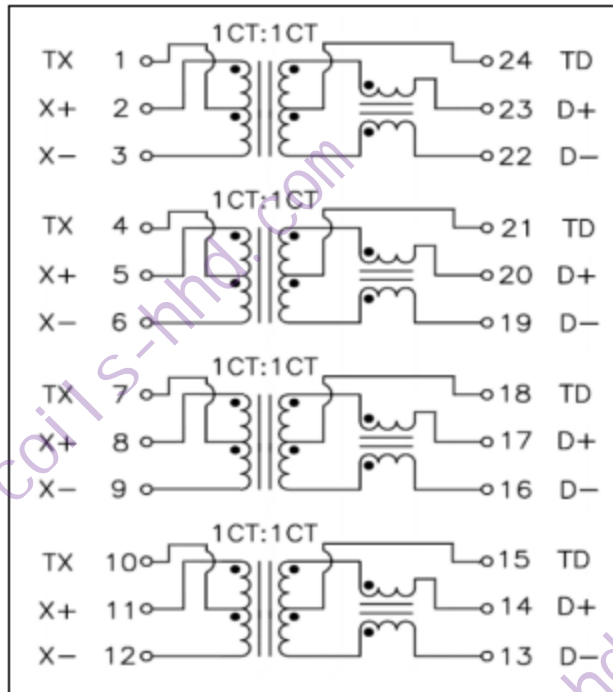
Properties	Test condition		Value	Unit	Tolerance
Inductance	100kHz/0.1V with 0mA DC-bias	OCL	200	$\mu$ H	Min.
Turns Ratio	100kHz/0.1V	TR	1 : 1		$\pm$ 2%
Insertion Loss	100k~10MHz	IL	-1.0	dB	Min.
	100k~550MHz		-3.0		
Return Loss	1~40MHz	RL	-18.0	dB	Min.
	40~400MHz		-10.0		
	400~500MHz		-8.0		
	500~600MHz		-5.0		
Common Mode Rejection	1~250MHz	CMR	-30	dB	Min.
	250~500MHz		-22		
Crosstalk	1~100MHz	CT	-40	dB	Min.
	100~500MHz		-30		

\*Remarks:

\* All test data is referenced to 25°C ambient temperature ;

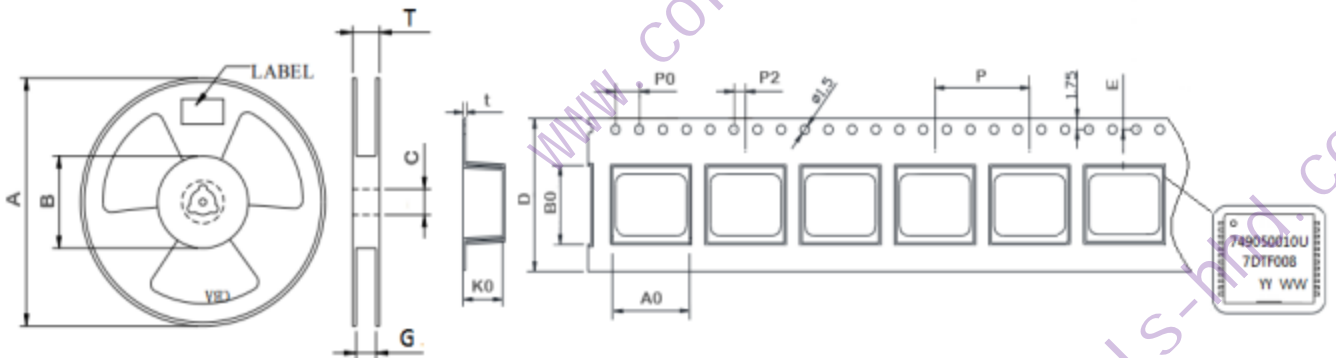
\* Test equipment: HP4395A or equivalent.

**Inner connection:**



**Packing :**

\*Dimension (mm)



STAYLE	QTY (PCS)	A	B	C	D	G	E	T	A0	B0	K0	t	P	P0	P2
13"	400, 450	330	60	13.5 ±0.5	24.0 ±0.2	25.0 ±0.5	11.5 ±0.1	29.0 ±2.0	16.0	14.2	4.4	0.35	20.0 ±0.1	4.0 ±0.1	2.0 ±0.1

**\*Packing Quantity 包装数量 :**

Quantity / Reel 数量 / 卷	Quantity / Inner Box 数量 / 内盒	Quantity / Outside Carton 数量 / 外箱	N.W. / Outside Carton 净重 / 外箱	G.W. / Outside Carton 毛重 / 外箱
400 pcs	(400x2)800pcs	(800x4) 3200pcs	9.92 kg	11.8 kg
450 pcs	(450x2) 900pcs	(900x4) 3600pcs	11.16kg	13.0 kg

\* Packing Quantity may vary depending on the order volume. 包装数量会因应订单量而异。